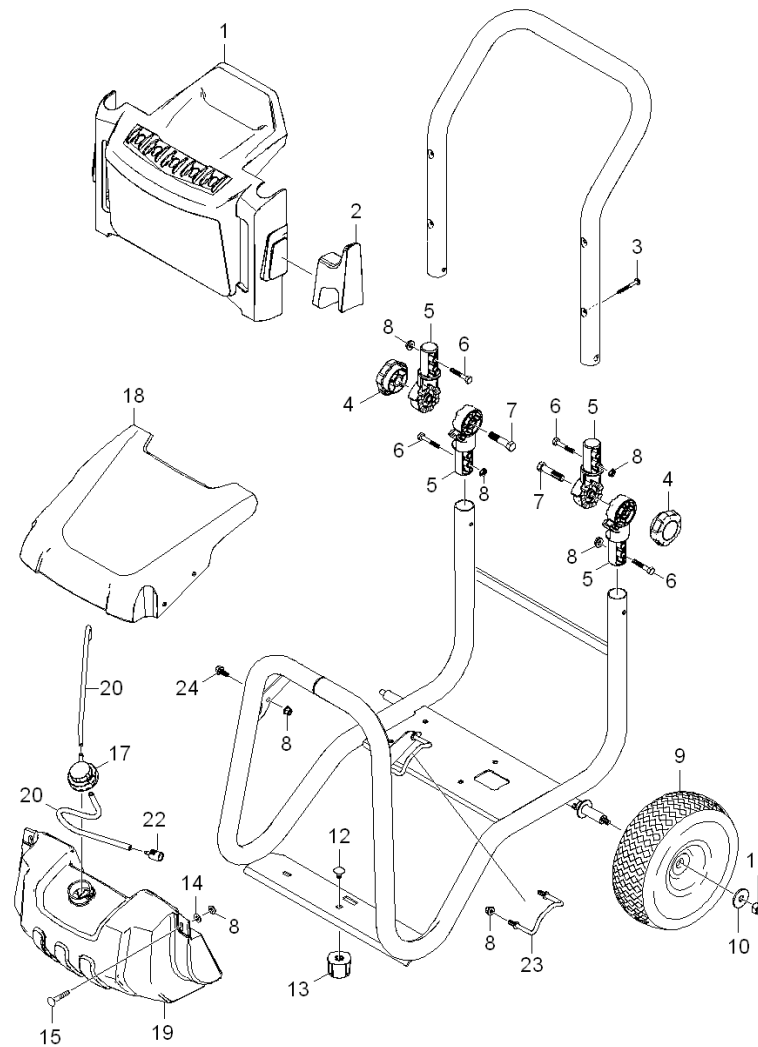


1.0 Frame

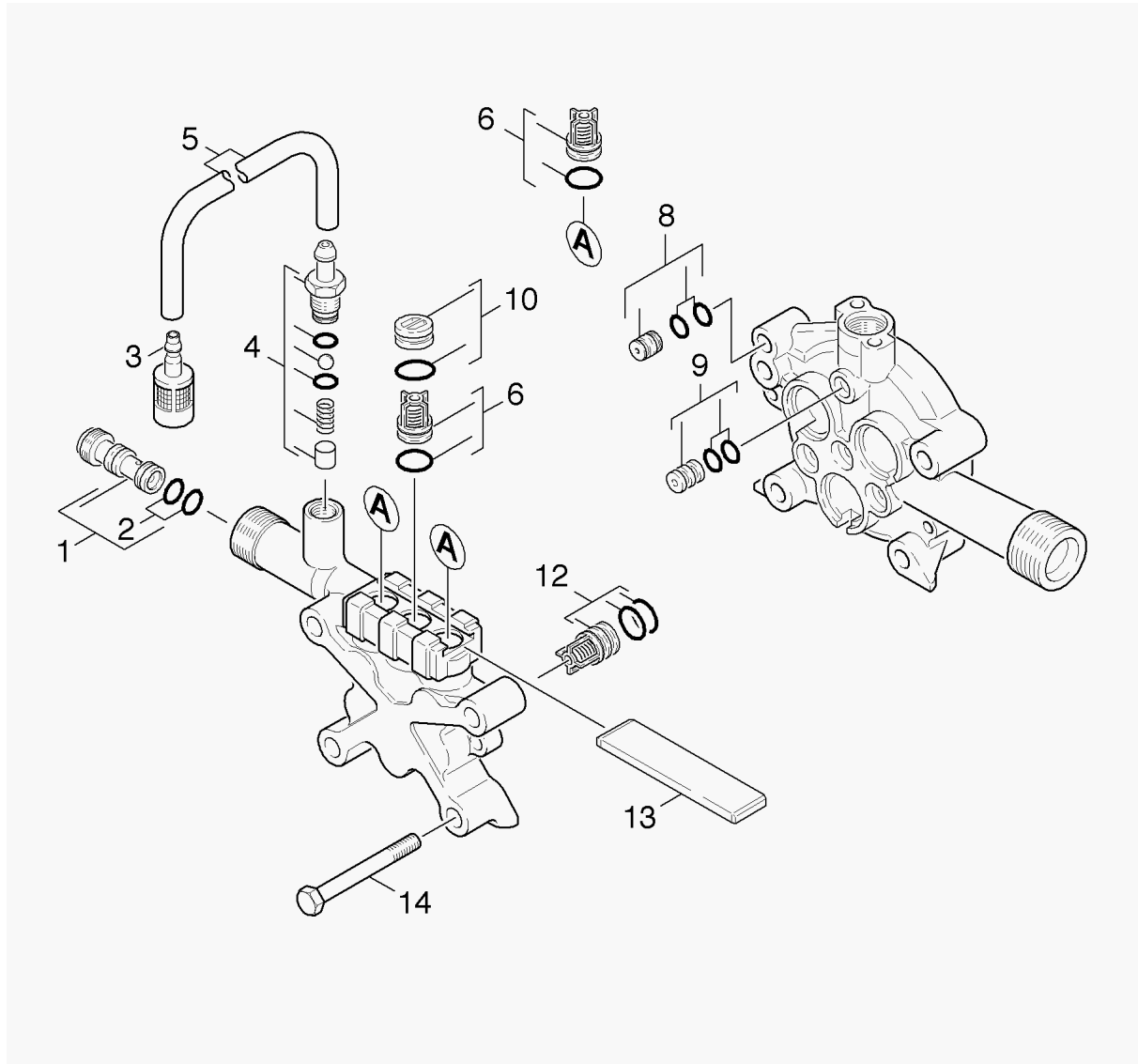


1.0 Frame

POS	DESCRIPTION ADDITIONAL INFORMATIONS	PART NO	QTY.	FROM SER.NR.	UP TO SER. NR.
1	Holder plate	50049950	1		
2	Holder pistol	50448270	1		
3	Cross Recessed Pan head screw	91960440	4		
4	KNOB	91365020	2		
5	ROTARY TUBE-JOINT	91350070	4		
6	HEX HEAD BOLT 3/8-16 X 1-3/4	91960410	4		
7	1/4-20 x 1-1/2 GR 2 HEX BOLT ZINC	91963070	2		
8	1/4-20" Nylon Insert Lock Nut with Flang	91970100	10		
9	WHEEL, YELLOW RIM 12"X 3.50" PNEUMATIC	91890120	2		
10	Washer 21/64 X 1"	91980140	2		
11	5/16-18 NE NYLON INSERT L/N ZC 5UM	91970020	2		
12	5/16-18 X 1/2 CARRIAGE BOLT A307 BLK	91963080	1		
13	RUBBER DAMPENER 5/16"-18FEMALE 2001	91834050	1		
14	Washer 1/4"	91980150	2		
15	Oval Countersunk head machine screw	91960430	2		
17	Cover tank cleaning agents	40638070	1		
18	Cover long without chemistry regulation	50329470	1		
19	Tank front	50711740	1		
20	Hose DN 5	63882160	1		
	TO ORDER AS CUT GOODS				
22	Filter with weight	57316090	1		
23	LANCE HOLDER-G 3000 BH	91420180	1		
24	Hex Washer Head Machine Screw 1/4-20	91960420	2		

2.1 Valves

Version 1



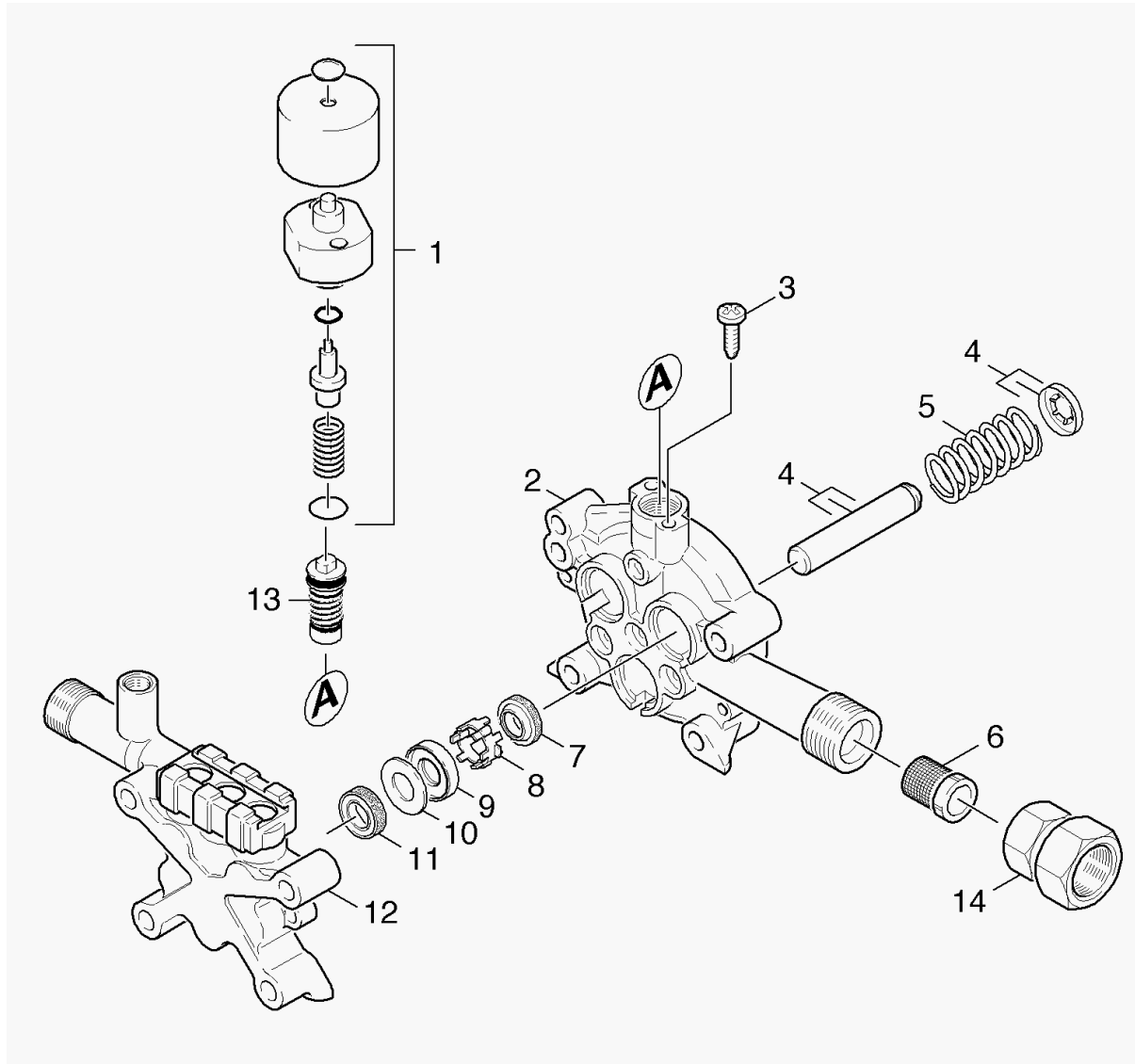
2.1 Valves

Version 1

POS	DESCRIPTION ADDITIONAL INFORMATIONS	PART NO	QTY.	FROM SER.NR.	UP TO SER. NR.
1	Nozzle insert	47690320	1		
2	O-Ring seal 9,0 x 1,5	63623840	2		
3	Filter chemistry regulation	48620320	1		
4	Spare part set chemistry	28838620	1		
5	Hose DN 5 TO ORDER AS CUT GOODS	63882160	1		
6	Valve (3 Stueck)	28848720	1		
8	Throttle complete	40301090	1		
9	JOINING PIECE	40300450	1		
10	DRAIN PLUG	41320070	3		
12	VALVE	45803300	3		
13	Plate	50030620	1		
14	M8-1.25 X 70MM CLS 8.8 HHCS ZC 8UM	73040970	4		

2.2 Piston

Version 1



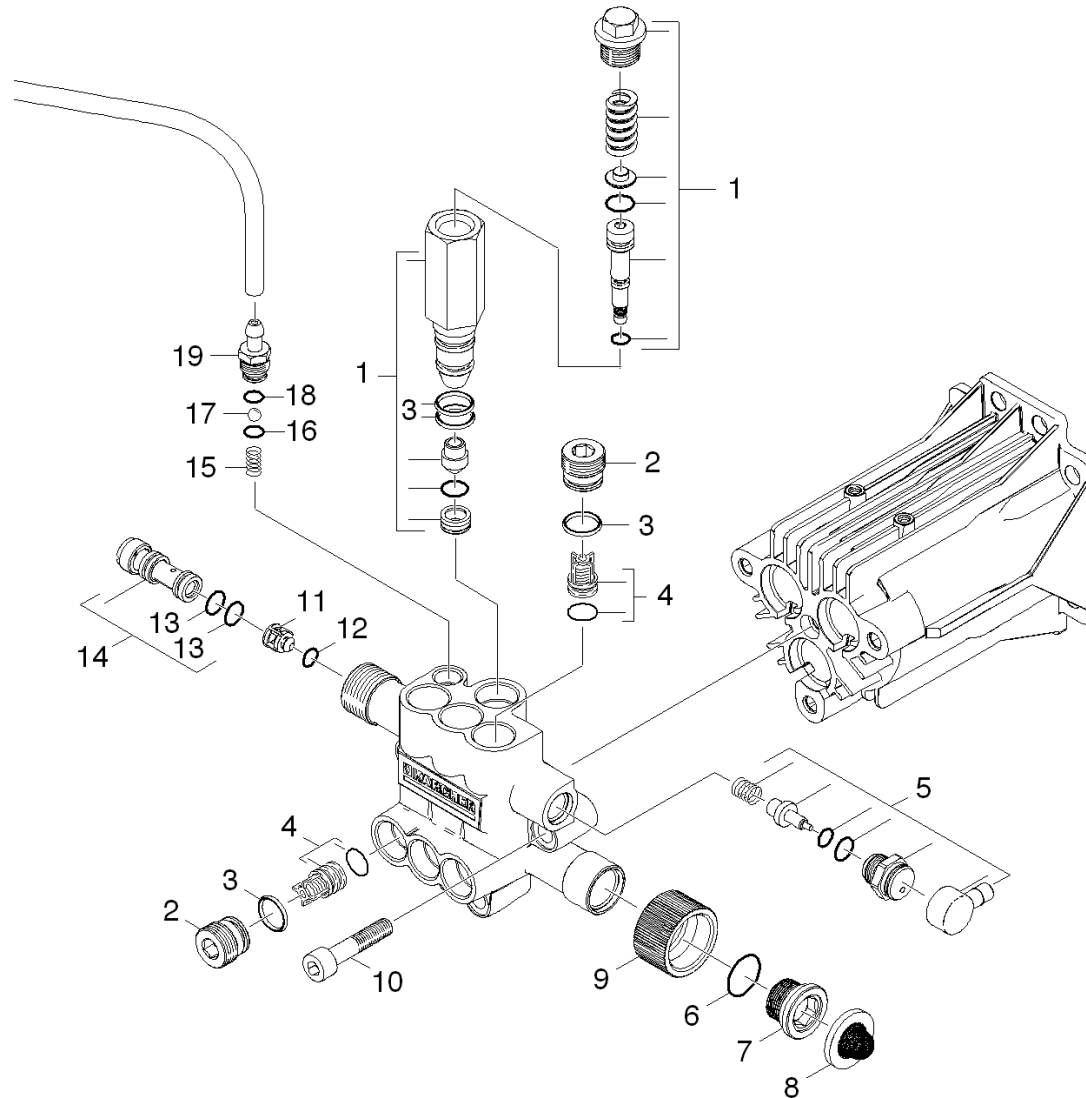
2.2 Piston

Version 1

POS	DESCRIPTION ADDITIONAL INFORMATIONS	PART NO	QTY.	FROM SER.NR.	UP TO SER. NR.
1	VALVE KIT	45803590	1		
2	Piston guidance	50606800	1		
3	Screw M6x30 -St-R3R (In6Rd)	73030660	2		
4	PISTON	45531730	3		
5	Pressure spring	53323910	3		
6	FILTER	64142520	1		
7	Grooved ring 12x20x4/6	63653930	3		
8	SLEEVE	51107070	3		
9	WASHER	51157200	3		
10	WASHER	51157210	3		
11	GROOVED RING 12X20X5.3/2.8	63653940	3		
12	CYLINDER HEAD	55502940	1		
13	SPILL VALVE	45910400	1		
14	SWIVEL ADAPTOR G-3/4 W/2-WASHERS	91540090	1		

2.3 Valves

Version 2



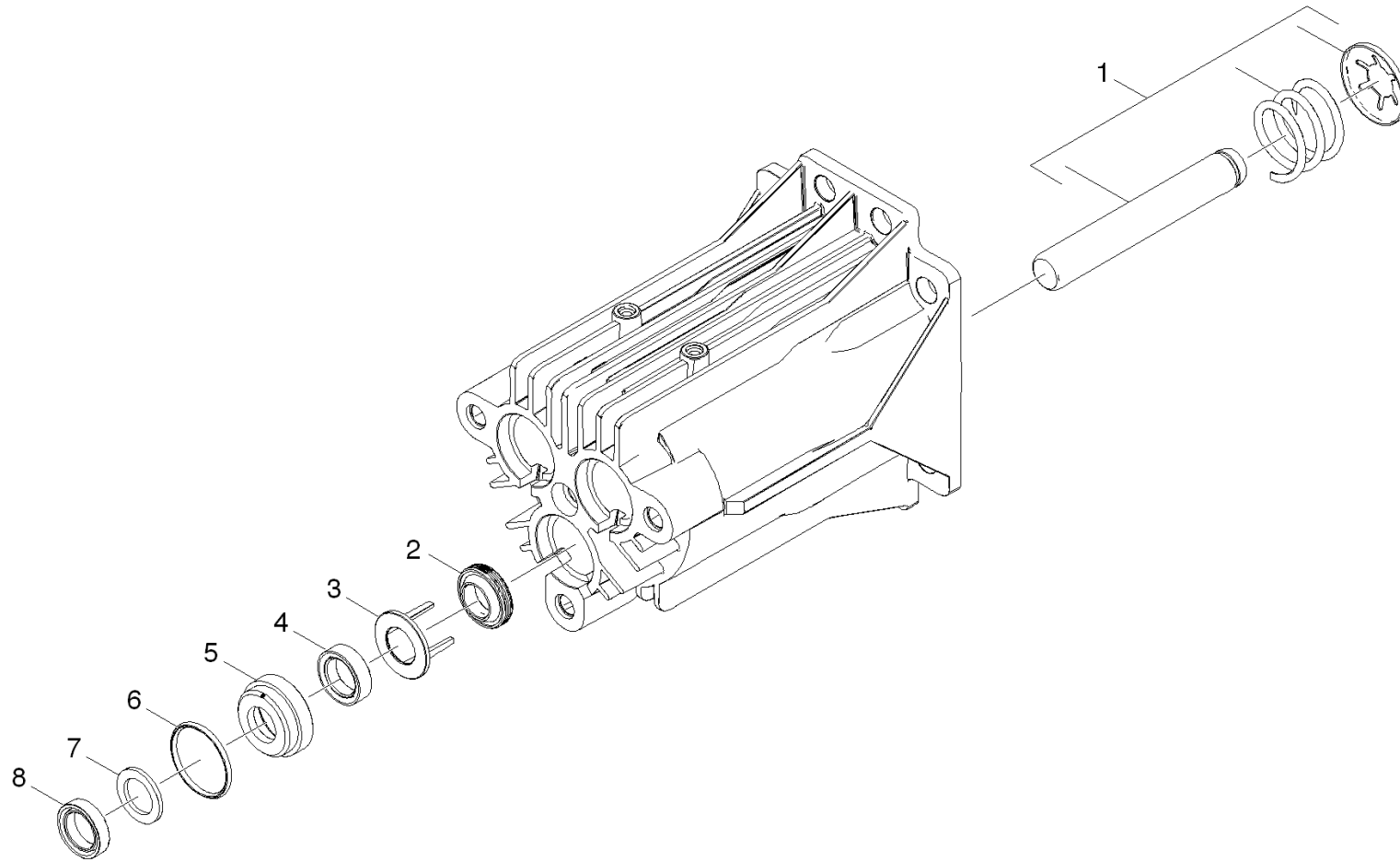
2.3 Valves

Version 2

POS	DESCRIPTION ADDITIONAL INFORMATIONS	PART NO	QTY.	FROM SER.NR.	UP TO SER. NR.
1	SPARE PARTS LIST-SET3	91391950	1		
2	M18 PIPE PLUG	91540360	6		
3	O-Ring seal 12,42x 1,78	63624800	8		
4	Valve complete	45803710	6		
5	SPARE PARTS LIST-SET2	91391940	1		
6	O-Ring seal 15,6 x 1,78-NBR 70	63626340	1		
7	MALE ADAPTER	91340190	1		
8	FILTER SEAL-HOSE CONNECTOR-	91810050	1		
9	FEMALE HOSE CONNECTOR	91550130	1		
10	Cylinder head screw M 8x 40-8.8-A2E ISO	73060750	3		
11	Valve pin check valve	55840910	1		
12	O-Ring d. 4 x 2 NBR 90	63628510	1		
13	O-Ring seal 9,0 x 1,5	63623840	1		
14	Nozzle insert only for replacement	47690340	1		
15	Helical spring	53322580	1		
16	O-Ring seal 5,28x 1,78	63621750	1		
17	Sphere 7 G40 -1.4401 DIN 5401	74019090	1		
18	O-Ring seal 8,0 x 1,0	63624510	1		
19	Nipple chemistry	54434480	1		

2.4 Piston

Version 2

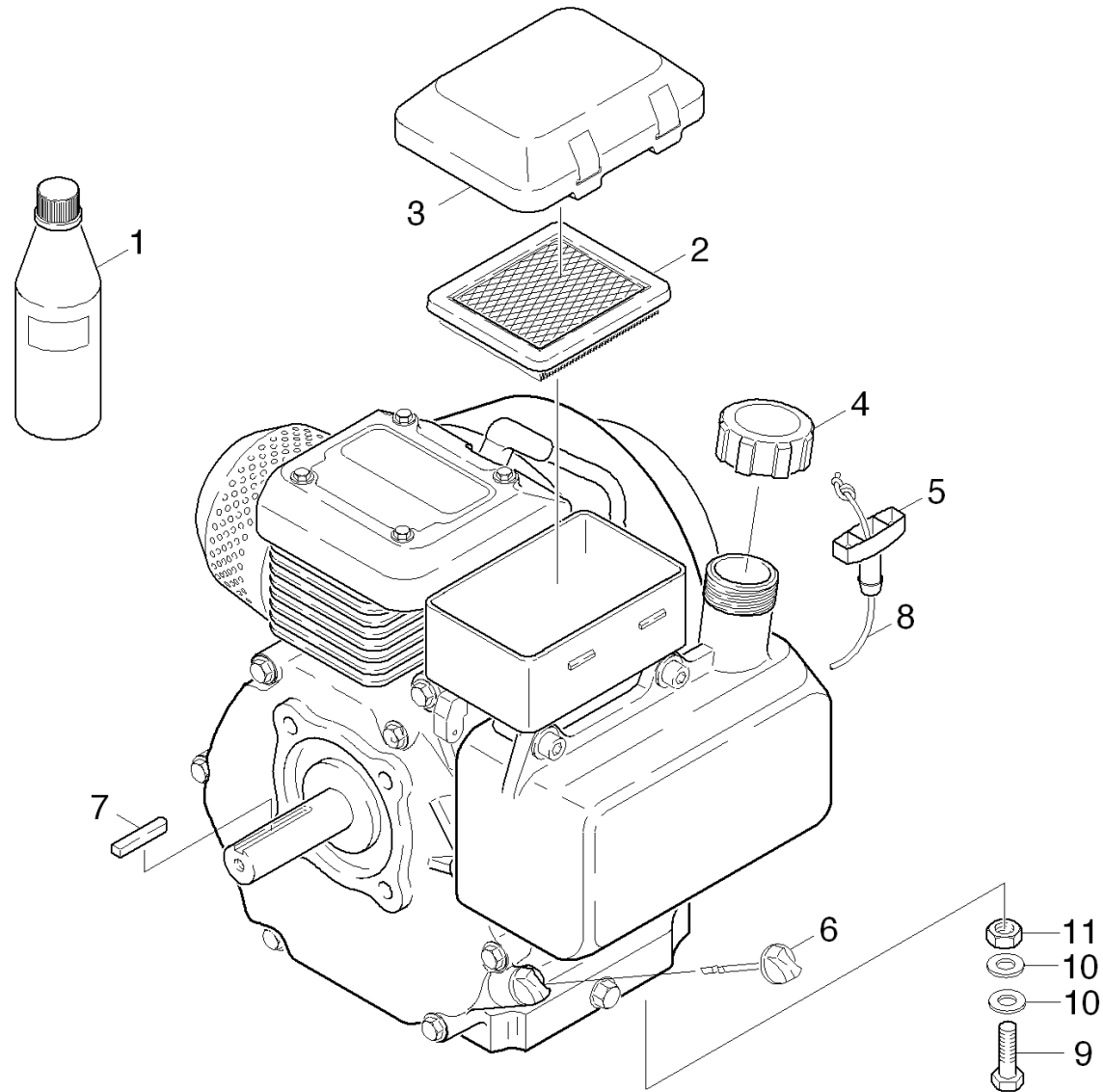


2.4 Piston

Version 2

POS	DESCRIPTION ADDITIONAL INFORMATIONS	PART NO	QTY.	FROM SER.NR.	UP TO SER. NR.
1	SPARE PARTS LIST-SET1	91391930	3		
2	Grooved ring 12x20x4/6	63653930	3		
3	SPACER-OIL SEAL & SEAL HSG.	91340160	3		
4	Grooved ring	63630580	3		
5	HOUSING-LOW PRESSURE SEAL	91550110	3		
6	O-Ring seal 21,5 x 1,78	63628330	3		
7	BACK RING-HIGH PRESSURE SEAL-	91773100	3		
8	HIGH PRESSURE SEAL	91773010	3		

3.1 Motor

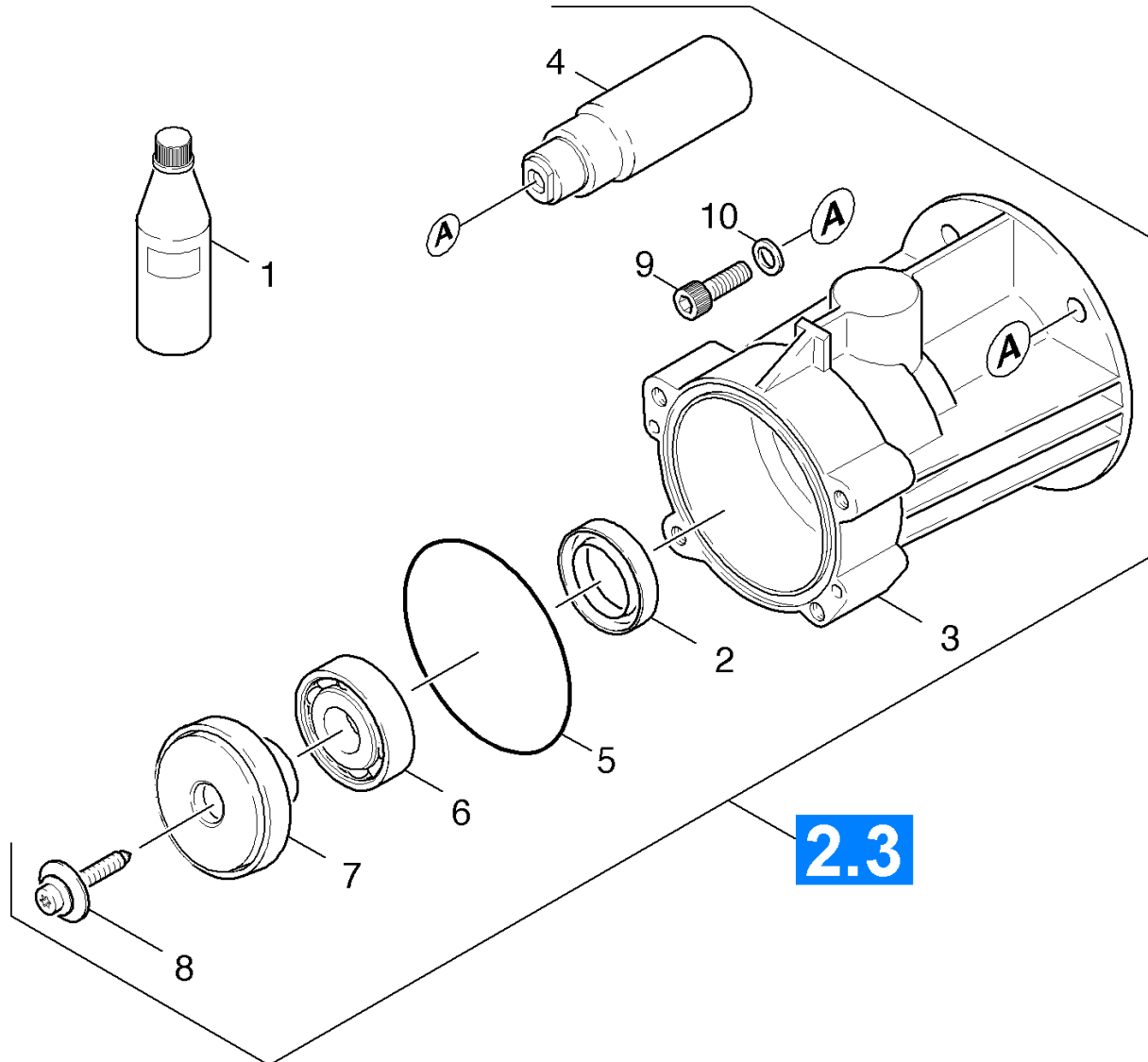


3.1 Motor

POS	DESCRIPTION ADDITIONAL INFORMATIONS	PART NO	QTY.	FROM SER.NR.	UP TO SER. NR.
1	OIL 1 LITRE	62880500	1		
2	AIR FILTER ELEMENT	64917260	1		
3	COVER	91945430	1		
4	GC 160 GAS CAP	91945480	1		
5	HANDLE	64915030	1		
6	OIL DIP ROD	91945310	1		
7	SPRING	91945450	1		
8	STARTER ROPE	64915460	1		
9	5/16-18 X 1-1/2 GR 5 HHCS ZINC	91860100	4		
10	5/16 SAE F/W ZINC .062 THK	91980020	8		
11	5/16-18 NE NYLON INSERT L/N ZC 5UM	91970020	4		

3.2 Transmission

Version 1



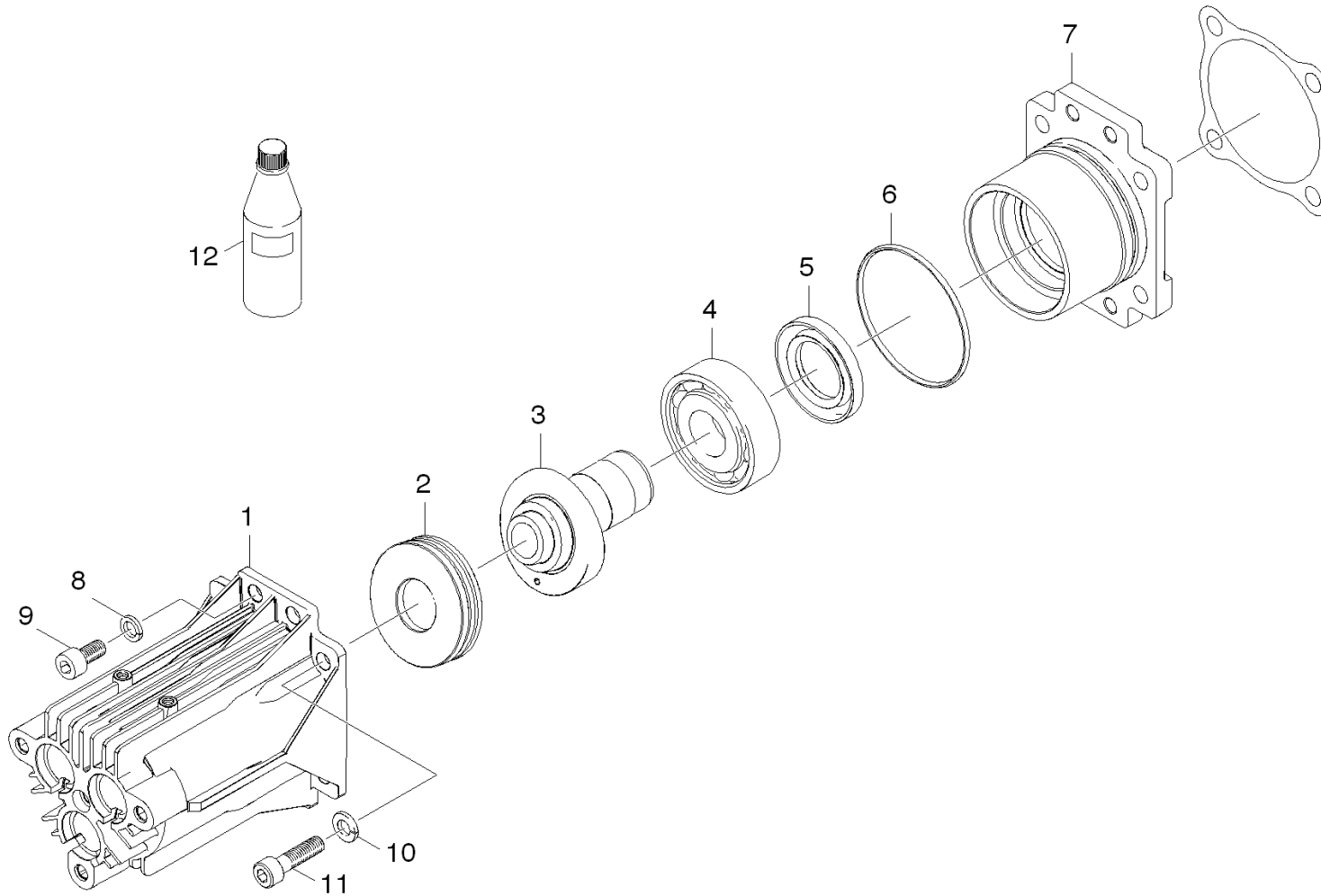
3.2 Transmission

Version 1

POS	DESCRIPTION ADDITIONAL INFORMATIONS	PART NO	QTY.	FROM SER.NR.	UP TO SER. NR.
1	OIL 1 LITRE	62880500	1		
2	Radial shaft seal ring A26x37x7 -NBR DI	73670180	1		
3	PUMP HOUSING	50931060	1		
4	COUPLING ELEMENT	54710880	1		
5	O RING 80 X 3	63624710	1		
6	BALL BEARING	64013320	1		
7	SWASH PLATE	64012890	1		
8	M6 X 19 TORX DRIVE W/WASHER SEMS CLASS	63040480	1		
9	5/16-24X1 GR 5 SHCS THRU HARDENED ZC	69650070	4		
10	5/16" SPLIT LOCK WASHER ZINC	51156560	4		

3.3 Transmission

Version 2

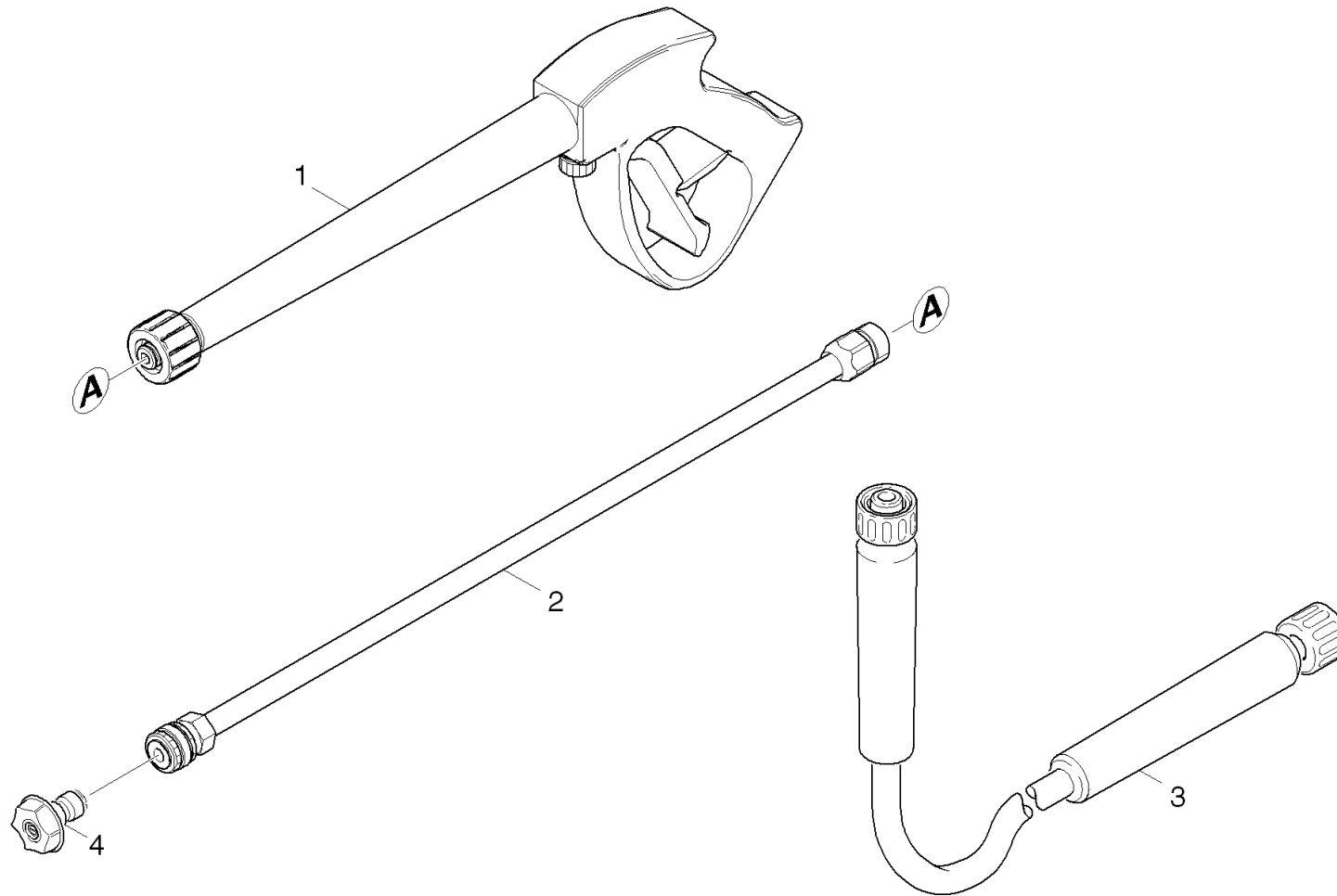


3.3 Transmission

Version 2

POS	DESCRIPTION ADDITIONAL INFORMATIONS	PART NO	QTY.	FROM SER.NR.	UP TO SER. NR.
1	SHORT OIL HOUSING AND PISTON GUIDE	91350060	1		
2	GROOVED BALL BEARING	91653550	1		
3	MOLDED SLEEVE-WOBBLE SHAFT-MACHINED-	91540370	1		
4	Angular contact ball bearing	64012600	1		
5	RADIAL SEAL, 30 x 52 x 7	91773090	1		
6	O-Ring seal 63,17x 2,62	63625370	1		
7	FLANGE SPACER-MACHINED-	91350050	1		
8	Spring washer 8-FST-A3E DIN 7980	73130510	4		
9	Cylinder head screw M8x16 -8.8-A2E ISO4	73060400	4		
10	5/16" SPLIT LOCK WASHER ZINC	51156560	4		
11	5/16-24X1 GR 5 SHCS THRU HARDENED ZC	69650070	4		
12	Engine oil 1L	62881120	1		

4.0 Accessories



4.0 Accessories

POS	DESCRIPTION ADDITIONAL INFORMATIONS	PART NO	QTY.	FROM SER.NR.	UP TO SER. NR.
1	AL BIT101 TRIGGER GUN	91120120	1		
2	LANCE- AL QUICK CONNECT MALE 3000 PSI	91125260	1		
3	HP HOSE DN6/25'/2900/KA/BLK/PLSTC	91623210	1		
4	MC Q/C NOZZLE KIT (0325)	91040180	1		9999
4	QUICK DISCONNECT NOZZLE KIT-0305	91040320	1	10000	